

REMINGTON VALVE

Severe Service Ball Valves



**CRITICAL SERVICE
FIELD PROVEN
ENGINEERED
SUPPORT
SERVICE**

Manufactured in Houston, Texas

Simplifying the way you buy valves

WHY CHOOSE REMINGTON?

REMINGTON VALVE located in Houston, Texas is a leading manufacturer of severe service isolation ball valves for the most extreme applications for the Refining, Chemical, Petrochemical, Power Generation, Oil & Gas, Mining, Aerospace industries. The core employees combine decades of innovative engineering, manufacturing, cutting edge technology, and field proven designs to help customers like you.

Why Choose REMINGTON:

- Optimized ball valve design and calculations
- 3D Parametric modeling
- Cutting edge coating technology
- Automated lapping process
- Vacuum testing to validate Class VI shut-off
- All valves are manufactured in Houston, Texas
- Field Proven designs for isolation challenges

Engineered Solutions for:

- Refining
- Chemical / Petrochemical
- Power Generation
- Upstream Oil & Gas
- Mining & Minerals
- Pulp & Paper
- Cryogenic

Applications:

- High Temperature
- Low Temperature
- High Pressure
- Abrasive
- Corrosive
- Erosive
- Lethal

Features and Benefits

Manufactured in Houston, Texas

- **Body:** All valves built from forgings – *no castings*
- **Ball & Seats:** Both made from the same material to match thermal expansions
- **Lapping:** Automated lapping process laps both sides of the ball to Class VI
- **Coating:** HVOF and Spray & Fused with cutting edge technology per application
- **Stem:** Surface hardened to eliminate galling
- **Articulating Gland Flange:** Prevents stem binding and galling
- **Spring:** Allows for thermal expansion and provides a constant mechanical seal
- **Grafoil Packing:** Premium die-formed with Anti-extrusion rings – Live loaded
- **Open/Closed Indicator:** Scribe line on stem and articulating gland flange
- **Vacuum Testing:** To ensure Class VI shut-off prior to installation
- **ASME B16.34:** All valves built to ASME B16.34 requirements



Field proven designs..

Valve Selection Guide

G-SERIES

Applications: Critical Isolation, Lethal Services, Heavy Slurry, Ultra-High Pressure, Catalyst, HPAL, and more.

SIZE

- ½" – 36" (2 or 3 piece)

PRESSURE CLASS

- 150# - 4500#

END CONNECTIONS

- RF, RTJ, HUB, BW, SW

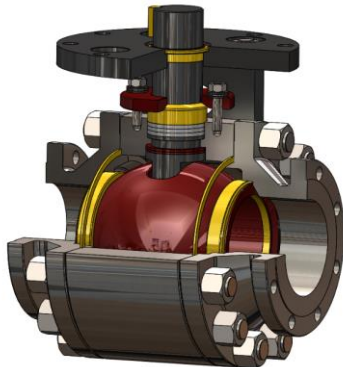
Per customer specifications

SEALING OPTIONS

- Uni-directional (Standard)
- Bi-directional (Optional)

Materials

- *Per Customers Specifications*



C-SERIES

Applications: Constant Contact Seat, Double Block and Bleed, and Trunnion designs.

SIZE

- ½" – 36" (2 or 3 piece)

PRESSURE CLASS

- 150# - 4500#

END CONNECTIONS

- RF, RTJ, HUB, BW, SW

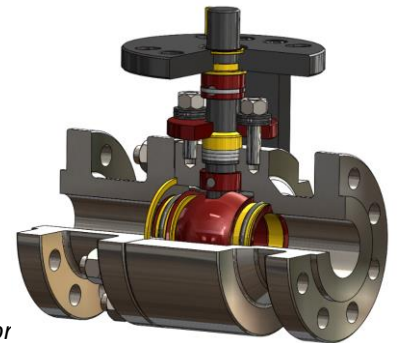
Per customer specifications

SEALING OPTIONS

- Uni-directional (Standard)
- Bi-directional (Optional)

Materials

- *Per Customers Specification*



VALVE SELECTION GUIDE

Custom designs – Innovative technology

S-SERIES

Applications: Vents and Drains - Economizer, Boiler, Turbine, Feedwater, Sootblower, and more.

SIZE

- ½" – 2 ½"

PRESSURE CLASS

- 150# - 1500#, 3200#, 4500#

END CONNECTIONS

- SW Standard (BW, RF, HUB)

Per customer specifications

SEALING OPTIONS

- Uni-directional (Standard)

Materials

- A105, F22, F91, F92



M-SERIES

Applications: Metals & Minerals Mining, Slurry Transport, Autoclave (HPAL), and Pressure Oxidation.

SIZE

- ½" – 36" (2 or 3 piece)

PRESSURE CLASS

- 150# - 4500#

END CONNECTIONS

- RF, RTJ, HUB, BW, SW

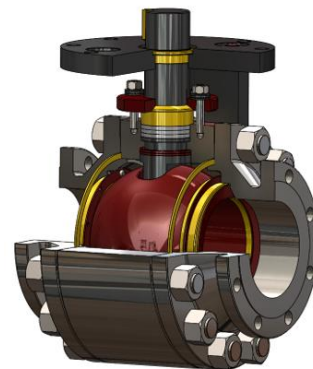
Per customer specifications

SEALING OPTIONS

- Uni-directional (Standard)
- Bi-directional (Optional)

Materials

- *Per Customers Specifications*



R-SERIES

Applications: In-Line Repairable Valve for Power, Chemical and Petrochemical Applications.

SIZE

- ½" – 24"

PRESSURE CLASS

- 150# - 4500#

END CONNECTIONS

- SW Standard (BW, HUB)

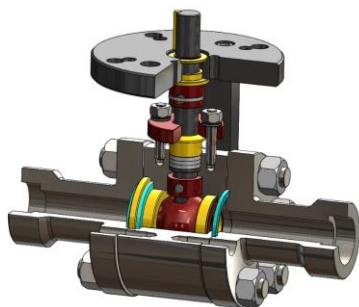
Per customer specifications

SEALING OPTIONS

- Uni-directional (Standard)

Materials

- A105, F22, F91, F92



E-SERIES

Applications: Overpressure Protection for Boilers and Isolation for Relief Valves.

SIZE

- 1 ½" – 4"

PRESSURE CLASS

- 1500# - 4500#

END CONNECTIONS

- RF, RTJ, HUB, BW, SW

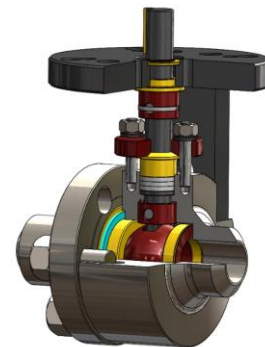
Per customer specifications

SEALING OPTIONS

- Uni-directional (Standard)

Materials

- F22, F91, F92



K-SERIES

Applications: Cryogenic

SIZE

- ½" – 16" (2 or 3 Piece)

PRESSURE CLASS

- 150# - 2500# (-452°F - 200°F)

END CONNECTIONS

- RF, RTJ, HUB, BW, SW

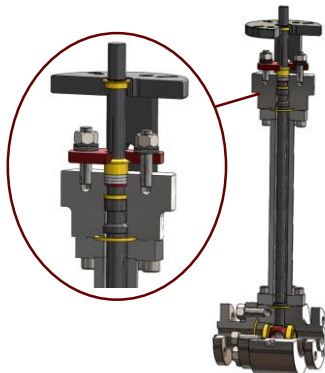
Per customer specifications

SEALING OPTIONS

- Uni-directional (Standard)
- Bi-directional (Optional)

Materials

- F316SS, Monel



P-SERIES

Applications: Soft Seated

SIZE

- ½" – 36" (2 or 3 piece)

PRESSURE CLASS

- 150# - 4500#

END CONNECTIONS

- RF, RTJ, HUB, BW, SW

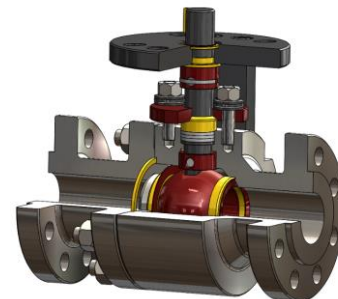
Per customer specifications

SEALING OPTIONS

- Uni-directional (Standard)
- Bi-directional (Optional)

Materials

- *Per Customers Specifications*



Engineered Solutions for Critical Severe Service Applications

www.remingtonvalve.com

Custom designs for the toughest applications



Simplifying the way you buy valves

REMINGTON VALVE

706 Nebraska Street
South Houston, Texas 77587
O: 832.413.4400 F: 281.974.3595

sales@remingtonvalve.com
www.remingtonvalve.com